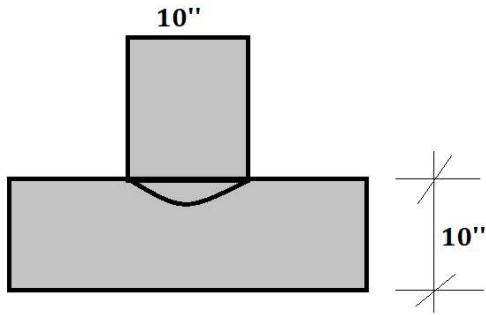


## EQUAL TEE BRANCH



### 8 CENTER LINE

10" HEADER OD = 273 MM  
10" HALF OD = 136.5 MM

10" BRANCH ID = 263 MM  
10" HALF ID = 131.5 MM

THICKNESS = 10 MM

### 45° CUTBACK

$$H.HALF OD - \sqrt{(H.HALF OD)^2 - (\sin(\theta) \times B.HALF ID)^2}$$

$$136.5 - \sqrt{(136.5)^2 - (\sin(45^\circ) \times 131.5)^2}$$

36.56 mm. Ans.

### 90° CUTBACK

$$H.HALF OD - \sqrt{(H.HALF OD)^2 - (\sin(\theta) \times B.HALF ID)^2}$$

$$136.5 - \sqrt{(136.5)^2 - (\sin(90^\circ) \times 131.5)^2}$$

99.89 mm. Ans.

