

# 10" × 10" Y - Branch Formula

Formula:

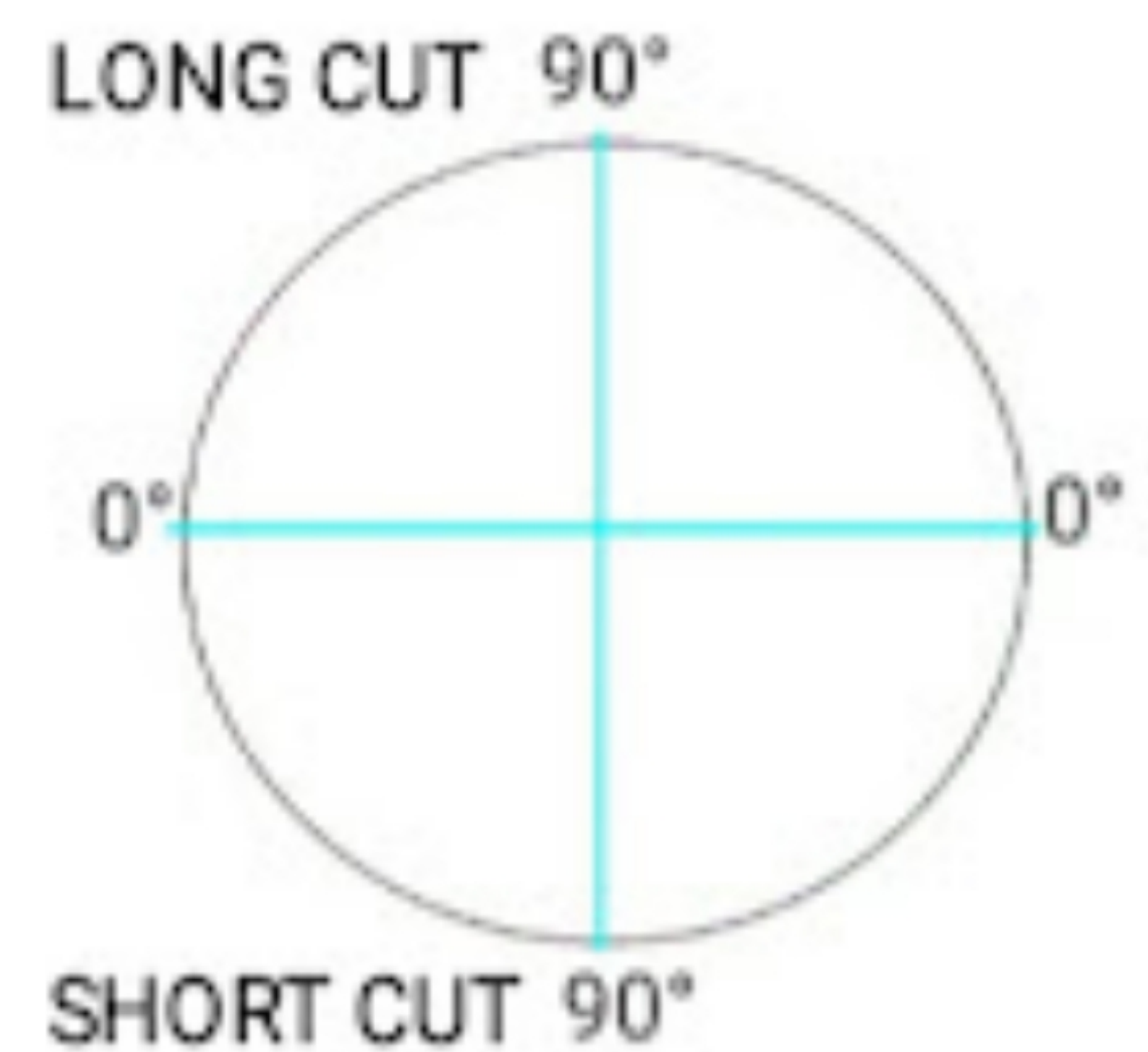
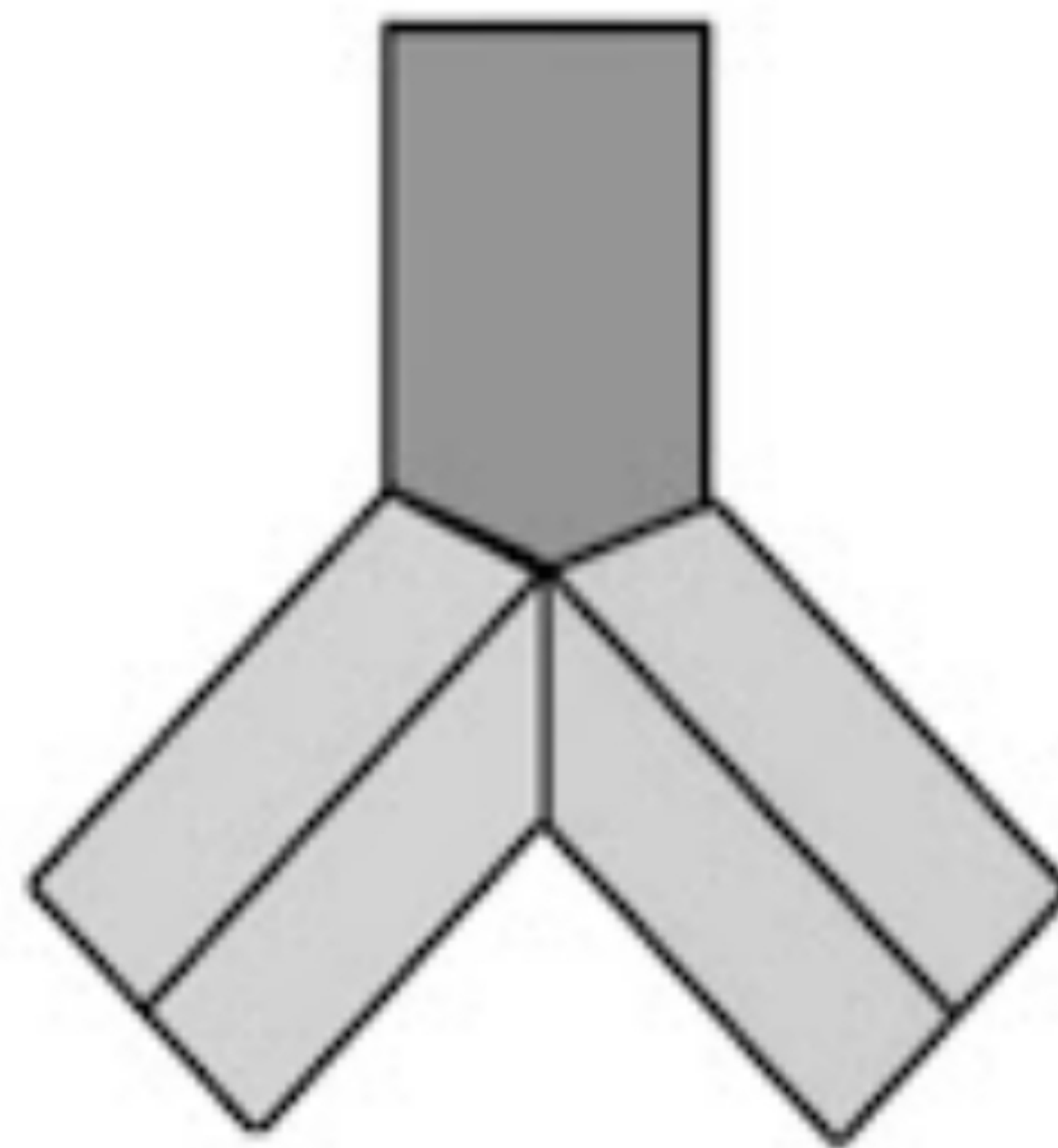
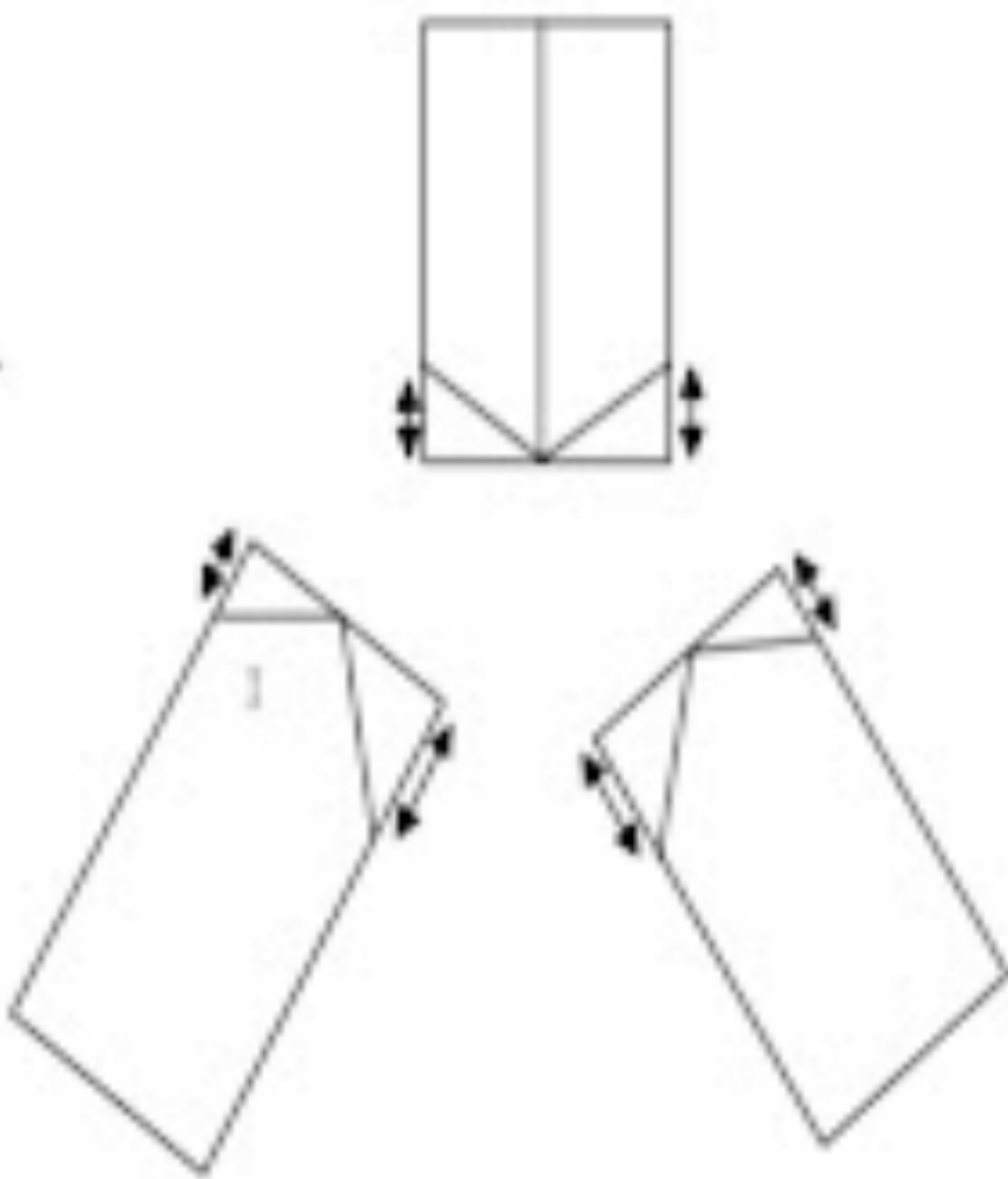
**LONG CUT = Half OD ÷ Tan(Y degree)**

**SHORT CUT = Half OD × Tan(Y half degree)**

10" OD = 273 mm

LONG CUT =  $136.5 \div \text{Tan}(45^\circ) = 136 \text{ mm}$

SHORT CUT =  $136.5 \times \text{Tan}(45^\circ/2) = 56 \text{ mm}$



SHORT CUT = 56 mm

LONG CUT = 136 mm

SHORT CUT = 56 mm

