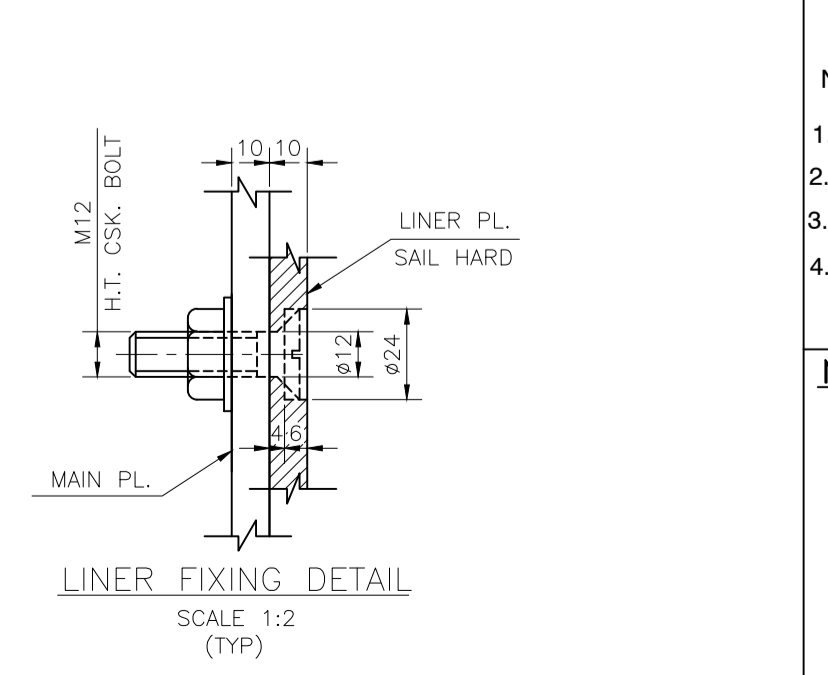
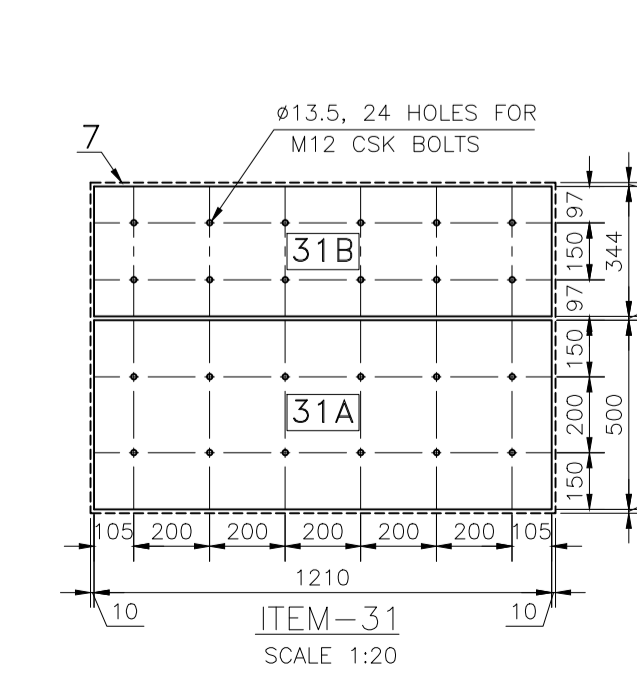
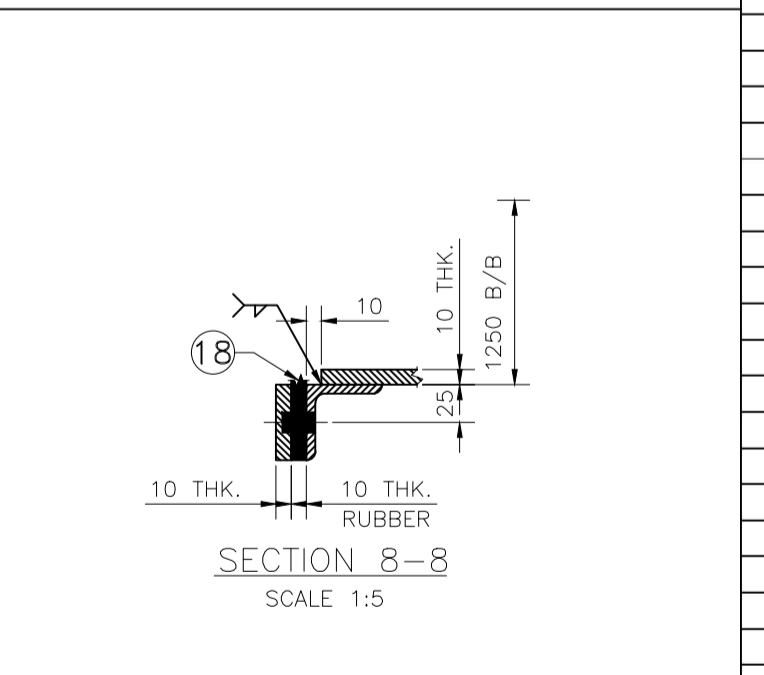
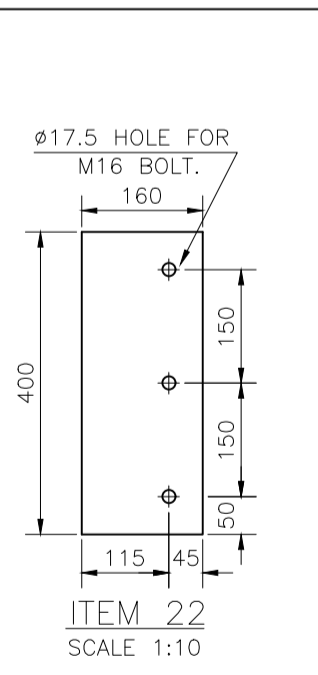
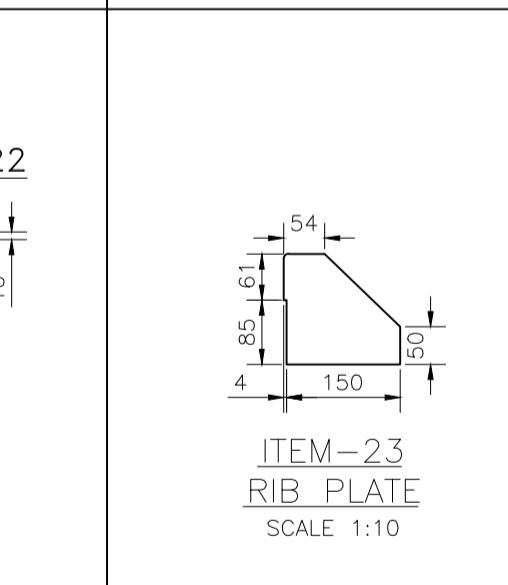
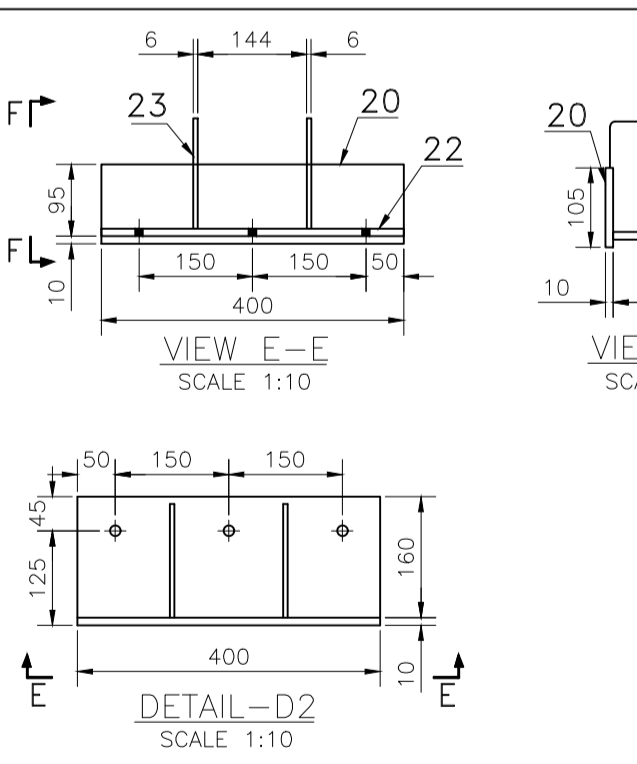
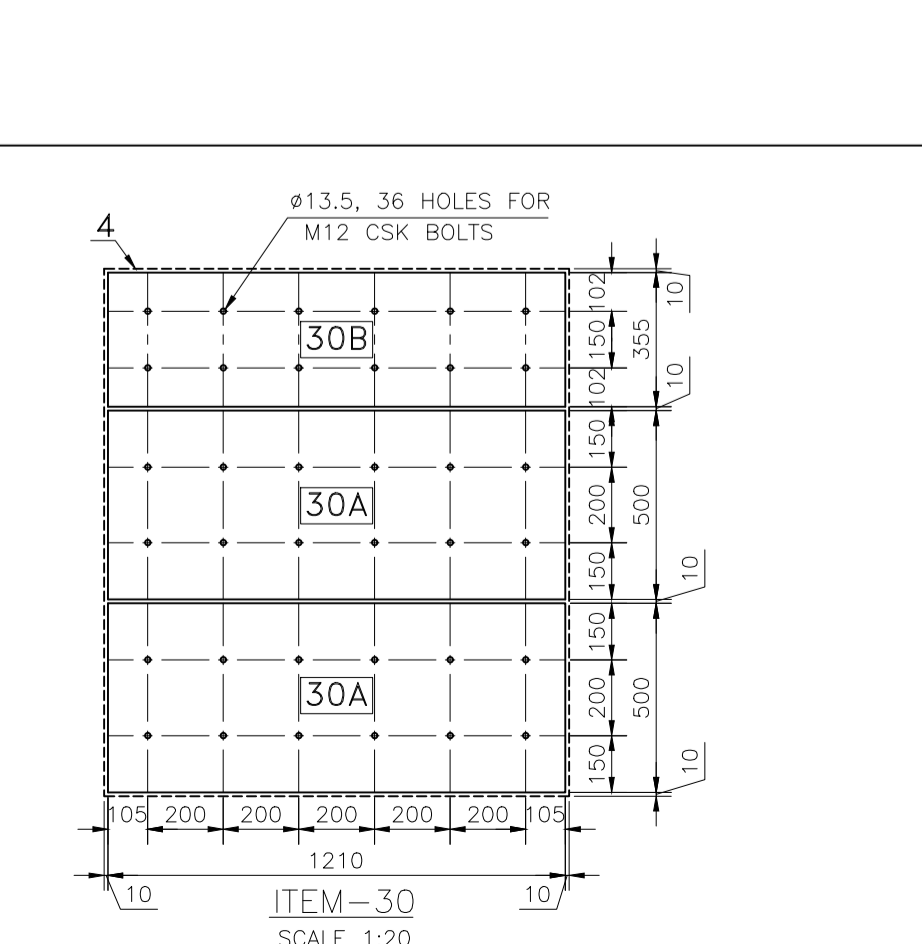
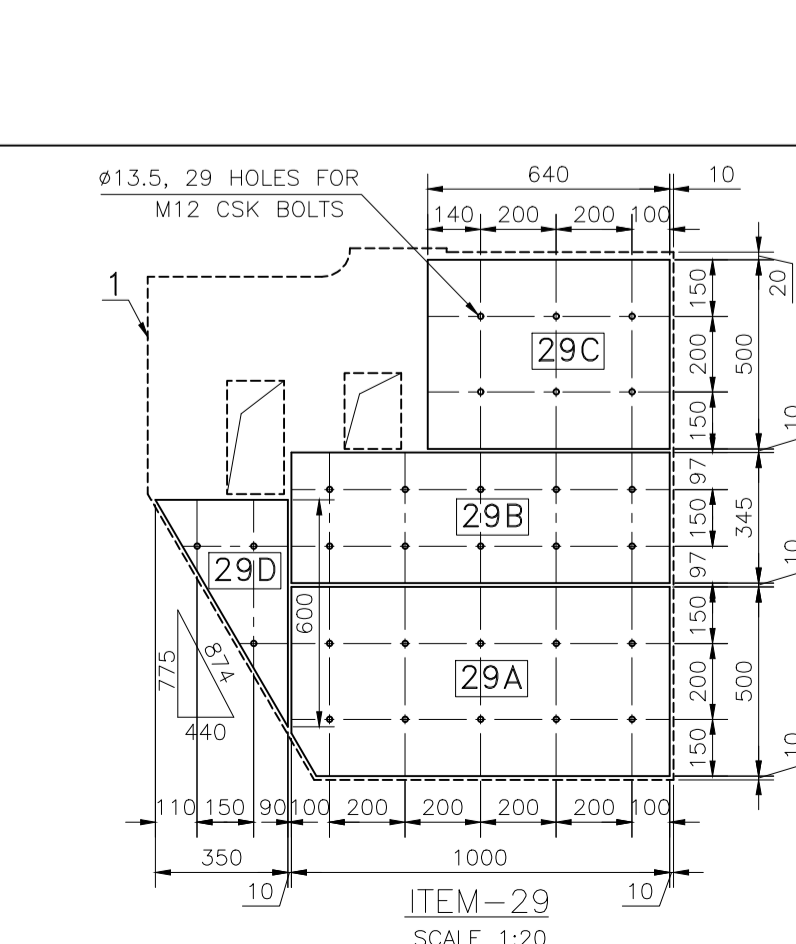


BOLT SPECIFICATION table with columns for SL. NO., BOLTS TYPE, STANDARD/GRADE, NO.s, REMARKS, TOTAL, 1438.04, Kgs.



NOTES - 1. ALL DIMENSIONS ARE IN MM 2. ALL WELDS ARE 6MM FILLET CONTINUOUS UNLESS OTHERWISE SPECIFIED 3. ALL MEMBERS SHOULD BE CUT AFTER FULL SCALE LAYOUT 4. ALL DRILLED HOLES TO BE MATCH DRILLED WITH THEIR MATING PARTS

NOTES:- 1. ALL DIMENSIONS ARE IN MILLIMETRES 2. ALL WELDS ARE 5MM FILLET AROUND U.O.S. 3. SUITABLE NOTCHING TO BE DONE WHEREVER REQD.

Table with columns: PART NO., DESCRIPTION, MATERIAL SPECIFICATION, QTY, WEGHTIN (KG), REMARK. Includes a signature table with columns: NAME, SIGNATURE, DATE.